

elumanation

LED Lighting Solutions ...

ELUME LED SLIMBOXES



416.225.6400

www.elumanation.com

info@elumanation.com

DATA SHEET.

ELSB-2e - ELUME LED SLIMBOX - SNAP FRAME

Please contact us for any additional information, project assistance or pricing in regards to our Elume LED SlimBox models and one of our Elumanation design associates will be glad to accommodate.

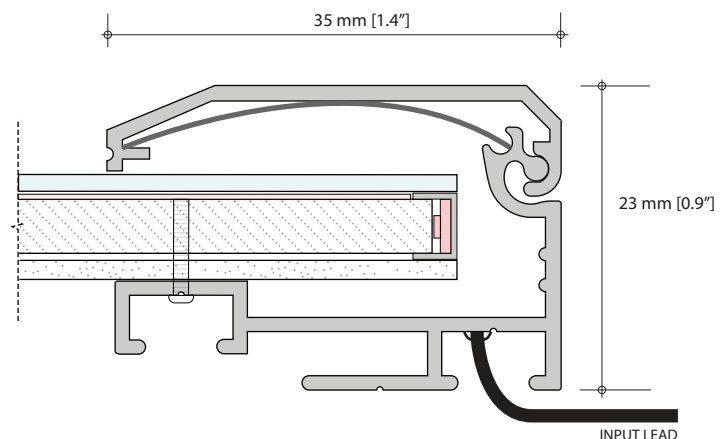
SPECIFICATIONS.

MODEL NUMBER :	ELSB-2e/ "MH" or "E" (Output Level)
FRAME TYPE :	SINGLE SIDED SNAP FRAME
MODEL THICKNESS :	23 mm [0.9"]
MAXIMUM SIZE (OUTSIDE DIMENSIONS) :	1270mm [50"] x 2540 mm [100"]
OUTSIDE FRAME TO VIEWING AREA :	35 mm [1.4"]
OUTPUT LEVEL OPTIONS :	LED POWER CONSUMPTION :
MAX-HIGH OUTPUT:	17 W/M [5.18 W/ Ft]
EXTREME OUTPUT :	25 W/M [7.62 W/ Ft]
LIGHT OUTPUT COLOUR :	CCT (K) - DAYLIGHT WHITE (DW) - 5800K
OPERATING VOLTAGE :	24Vdc
L70 RATED LIFESPAN :	>50,000 HOURS
WARRANTY:	3 YEARS
DIMMABILITY :	ADDITIONAL DIMMING MODULE REQUIRED
OPERATING ENVIRONMENT :	INDOOR (EXTERIOR MODELS AVAILABLE)
POWER SUPPLY :	UL CERTIFIED 24Vdc CLASS 2
(MORE INFO AVAILABLE UPON REQUEST)	(PLUG N PLAY or HARDWIRED MODELS)



FRAME PROFILE :

LEGEND	SYMBOL
3 mm [0.1"] PROTECTIVE CLEAR ACRYLIC COVER	
TRANSPARENCY GRAPHIC/ARTWORK	
ELUME ACRYLIC LED LIGHT GUIDE PANEL	
WHITE REFLECTIVE FOAM BOARD	



DATA SHEET.

ELSB-12e - ELUME LED SLIMBOX - MAGNETIC FRAME

Please contact us for any additional information, project assistance or pricing in regards to our Elume LED SlimBox models and one of our Elumanation design associates will be glad to accommodate.

SPECIFICATIONS.

MODEL NUMBER :	ELSB-12e/ "MH" or "E" (Output Level)
FRAME TYPE :	SINGLE SIDED SNAP FRAME
MODEL THICKNESS :	21 mm [0.83"]
MAXIMUM SIZE (OUTSIDE DIMENSIONS) :	1270mm [50"] x 2540 mm [100"]
OUTSIDE FRAME TO VIEWING AREA :	28 mm [1.1"]
OUTPUT LEVEL OPTIONS :	LED POWER CONSUMPTION :
MAX-HIGH OUTPUT:	17 W/M [5.18 W/ Ft]
EXTREME OUTPUT :	25 W/M [7.62 W/ Ft]
LIGHT OUTPUT COLOUR :	CCT (K) - DAYLIGHT WHITE (DW) - 5800K
OPERATING VOLTAGE :	24Vdc
L70 RATED LIFESPAN :	>50,000 HOURS
WARRANTY:	3 YEARS
DIMMABILITY :	ADDITIONAL DIMMING MODULE REQUIRED
OPERATING ENVIRONMENT :	INDOOR (EXTERIOR MODELS AVAILABLE)
POWER SUPPLY :	UL CERTIFIED 24Vdc CLASS 2
(MORE INFO AVAILABLE UPON REQUEST)	(PLUG N PLAY or HARDWIRED MODELS)



FRAME PROFILE :

LEGEND	SYMBOL
28 mm [1.1"] BLACK SILK SCREEN MASK	
3 mm [0.1"] CLEAR ACRYLIC COVER	
SECURING MAGNETS	
TRANSPARENCY GRAPHIC	
ELUME LED LIGHT GUIDE PANEL	
REFLECTIVE BOARD	

